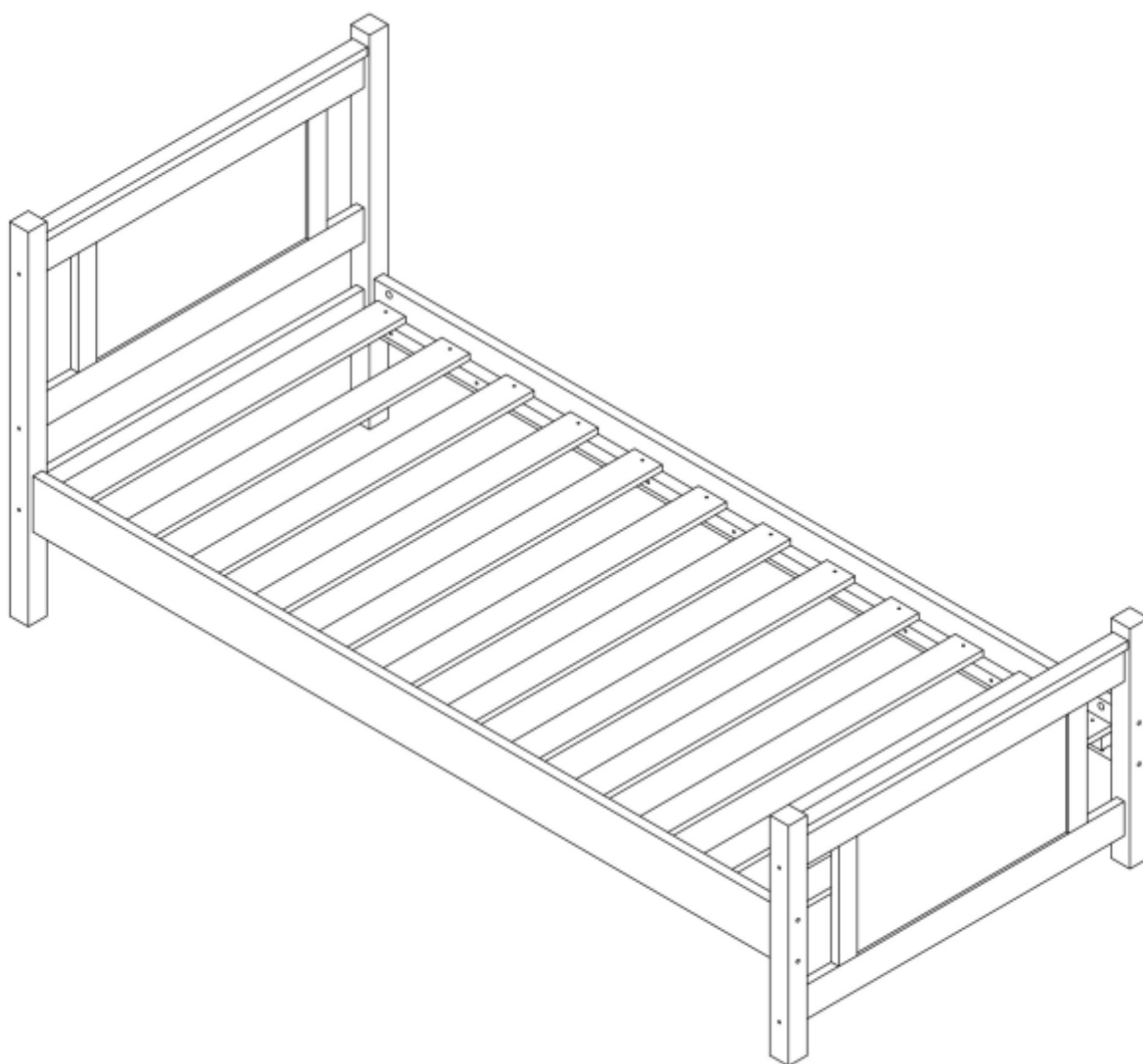


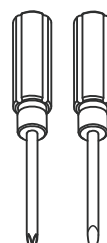
RAVENNA No1








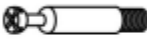


Callista

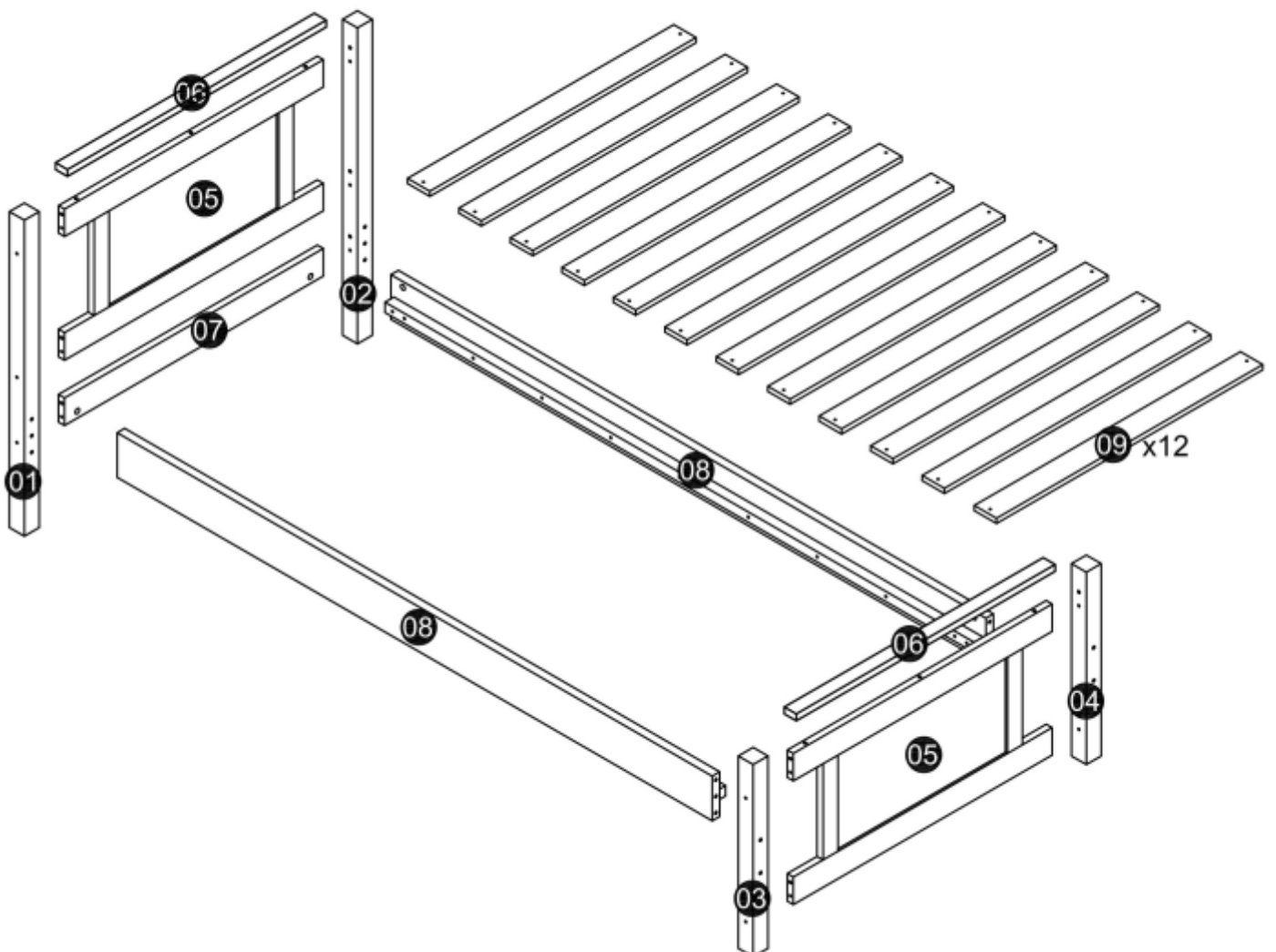


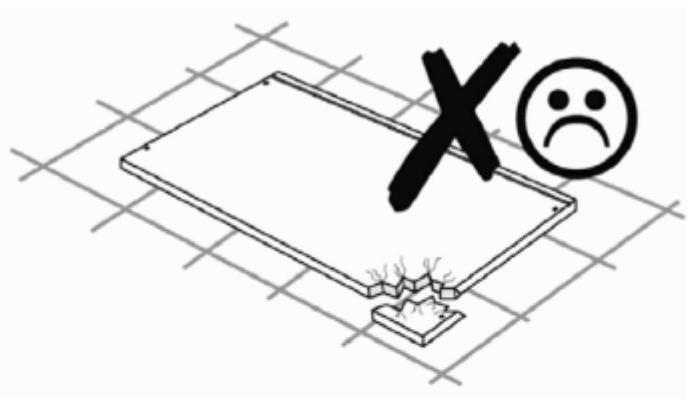
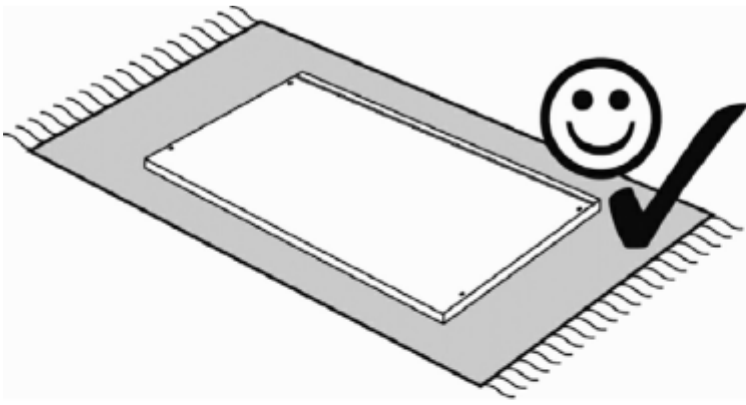
Δυσκολία Συναρμολόγησης
Assembly Difficulty

1 2 ③ 4 5





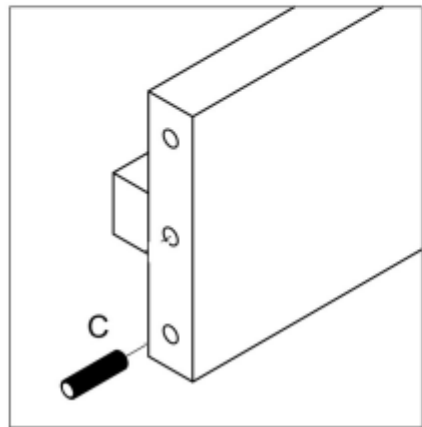
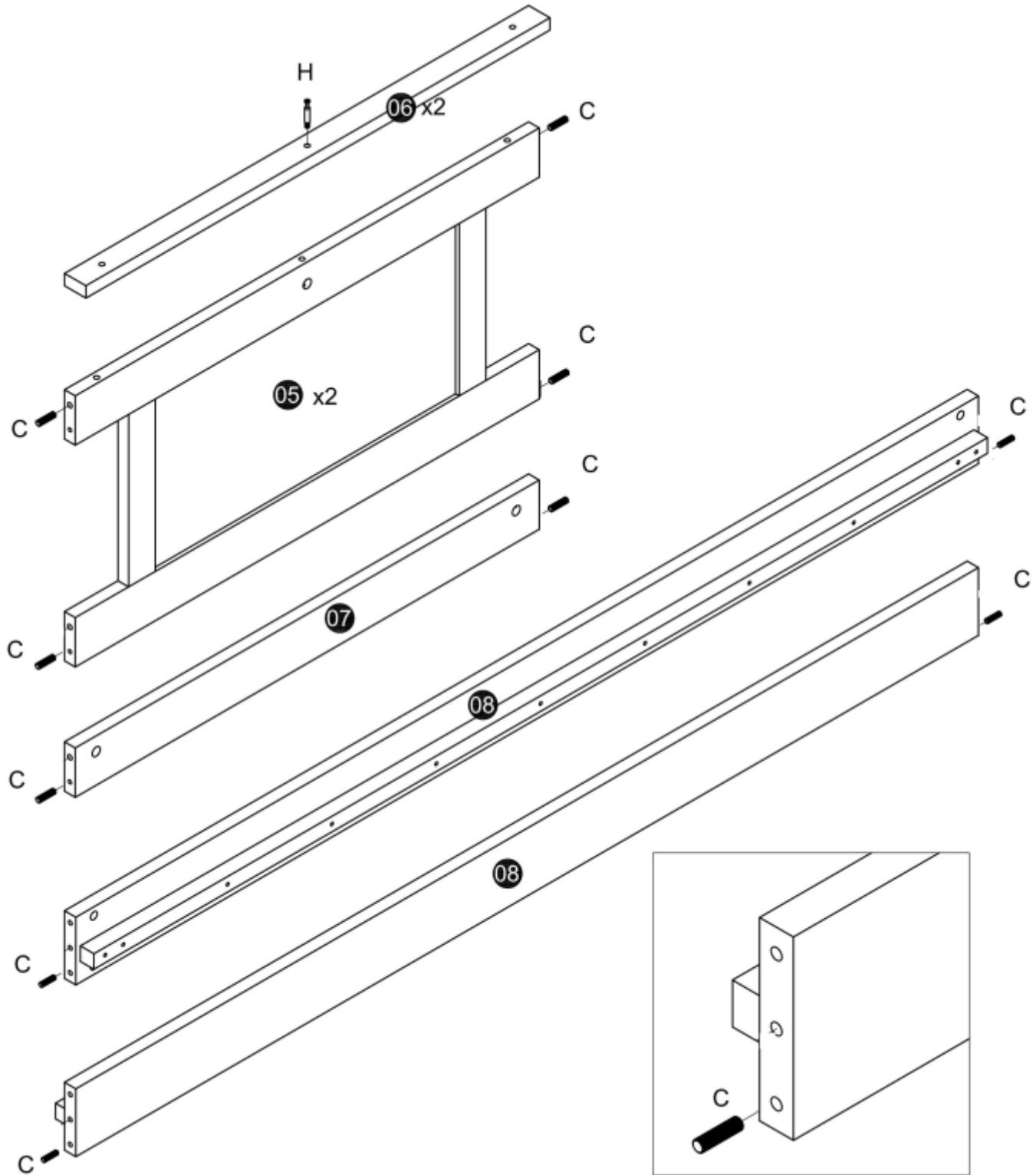
<p>A x10</p>  <p>M6 x90mm</p>	<p>B x10</p> 	<p>C x14</p>  <p>Ø8 x30mm</p>	<p>D x8</p>  <p>Ø6 x100mm</p>	<p>E x4</p>  <p>M6 x80mm</p>
<p>F x1</p> 	<p>G x24</p>  <p>Ø4 x30mm</p>	<p>H x2</p> 	<p>I x2</p> 	<p>J x2</p> 





01

H x2	C x14
	
	∅8 x30mm



02

I x2



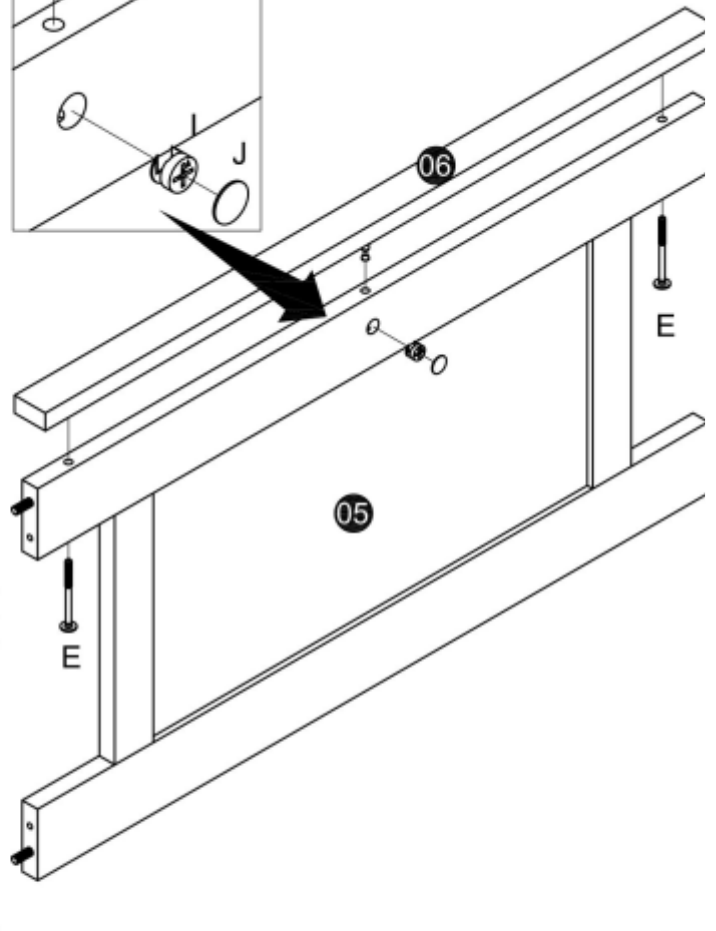
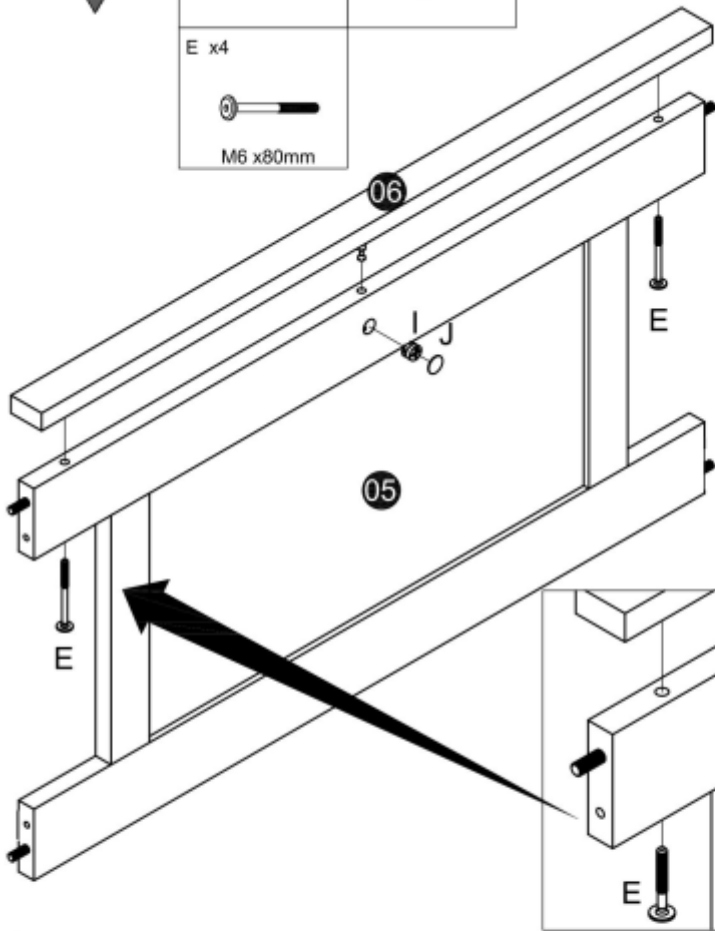
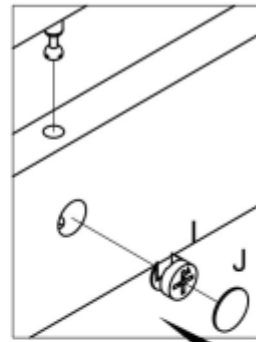
J x2



E x4



M6 x80mm



03

A x2
M6 x90mm



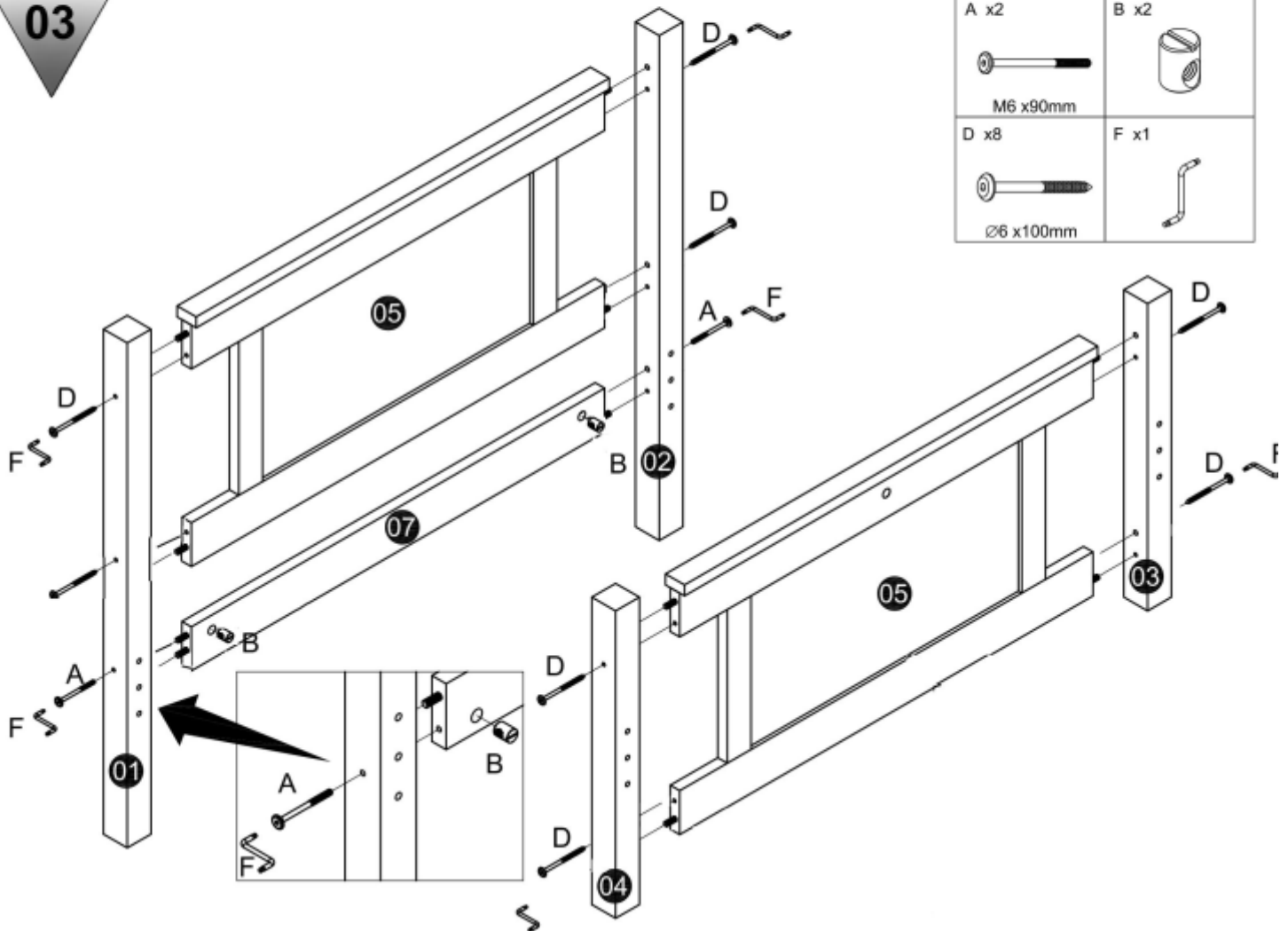
B x2



D x8
∅6 x100mm

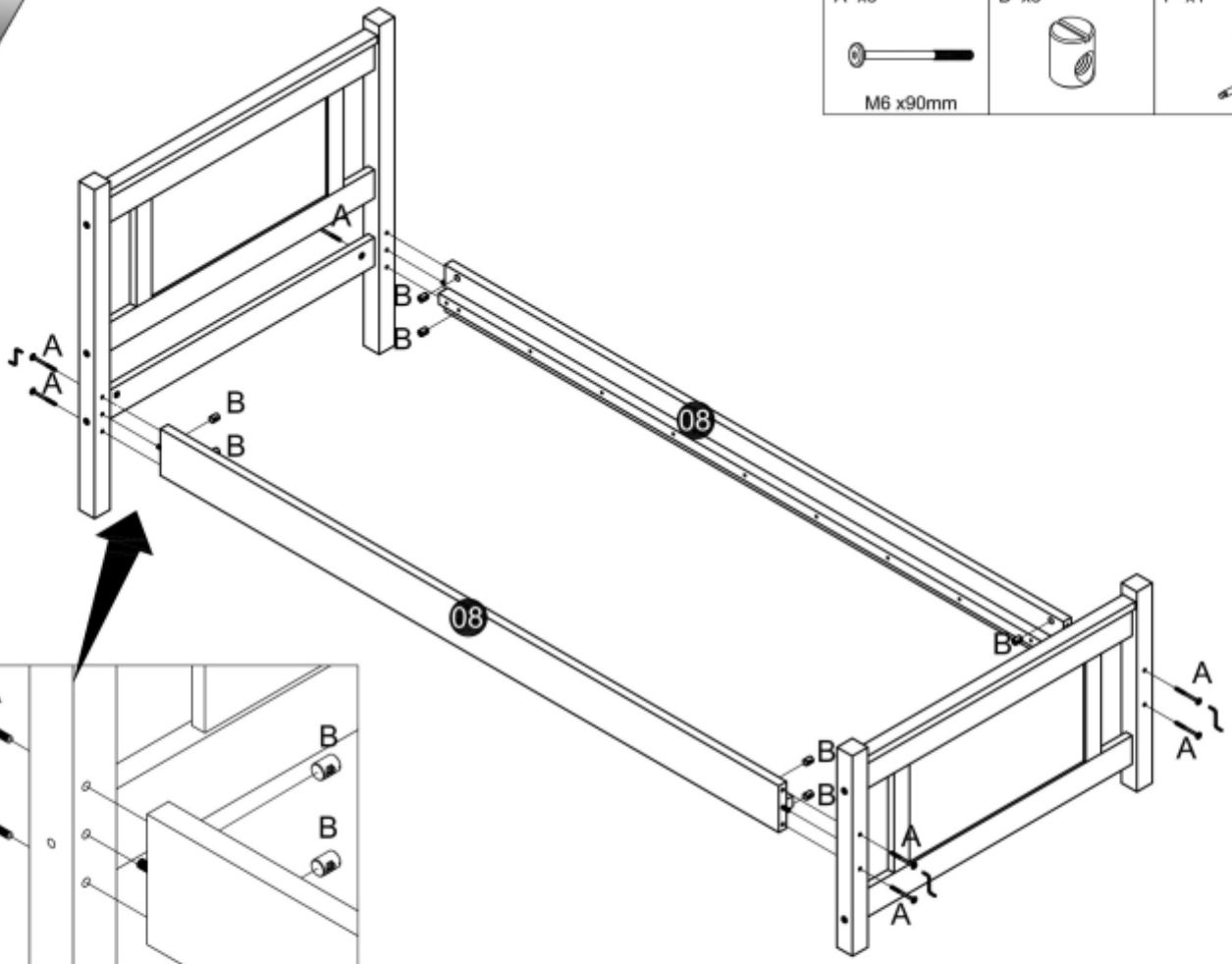


F x1



04

A x8  M6 x90mm	B x8 	F x1 
---	---	---



05

G x24  Ø4 x30mm

