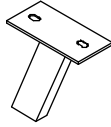
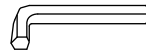


Bx2



Cx2



Dx1

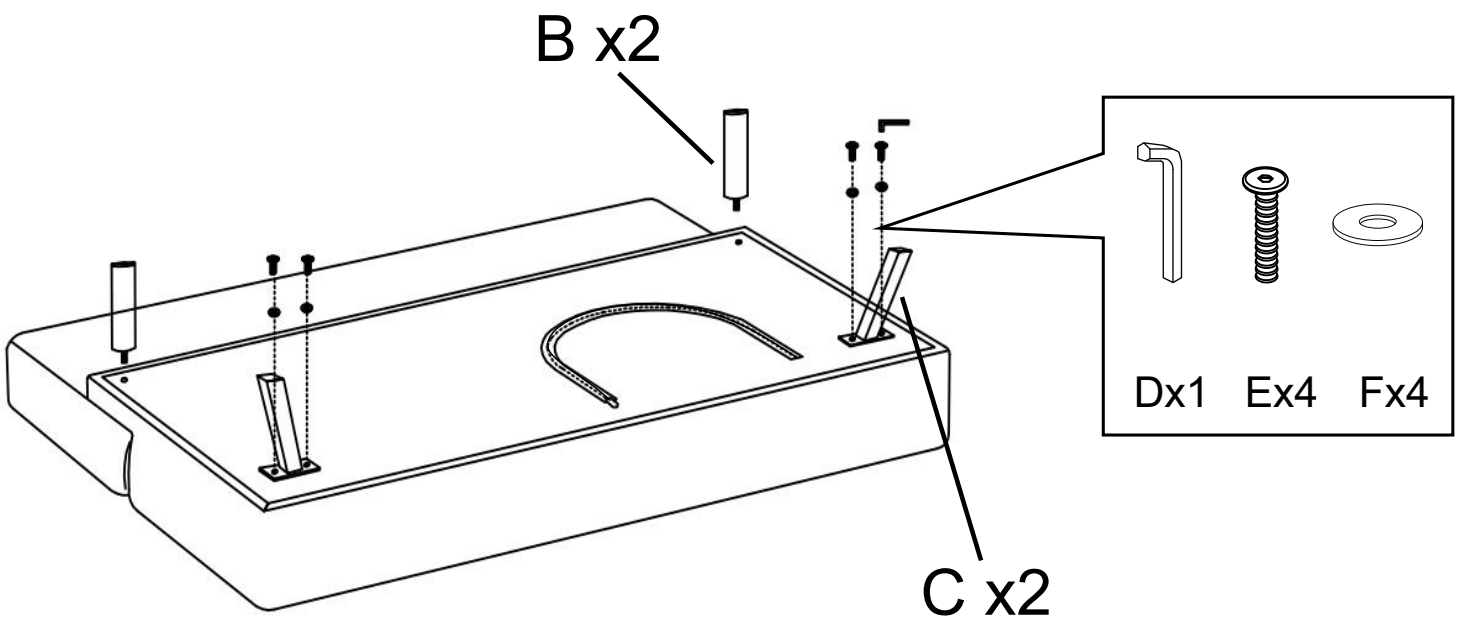


Ex4



Fx4

1



2

